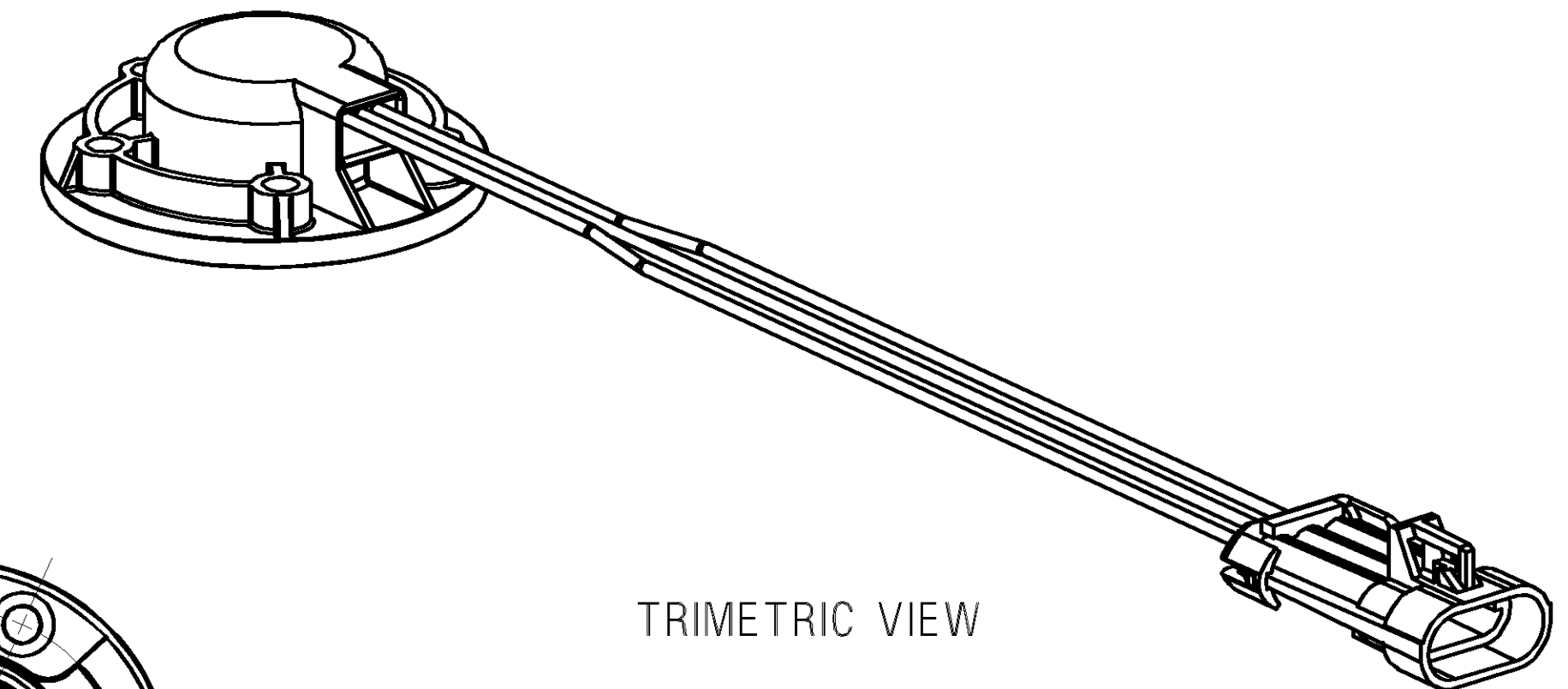
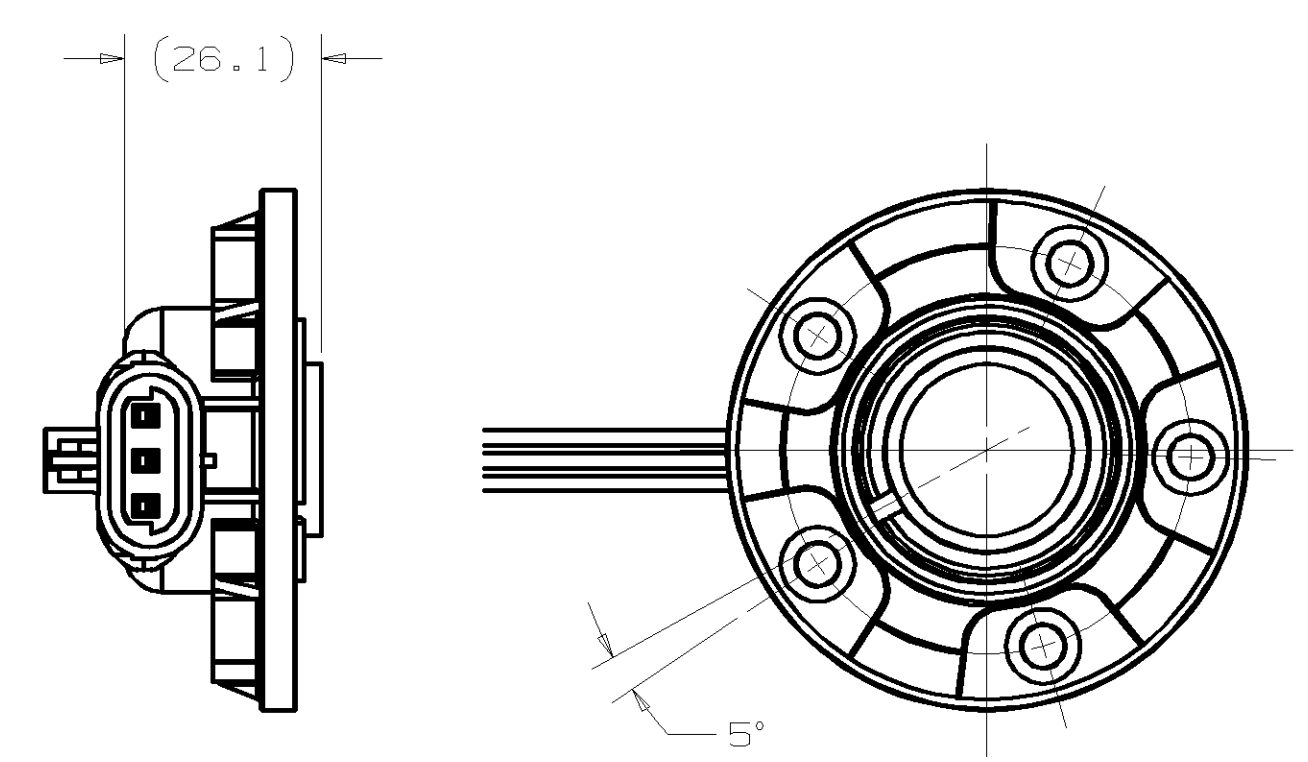
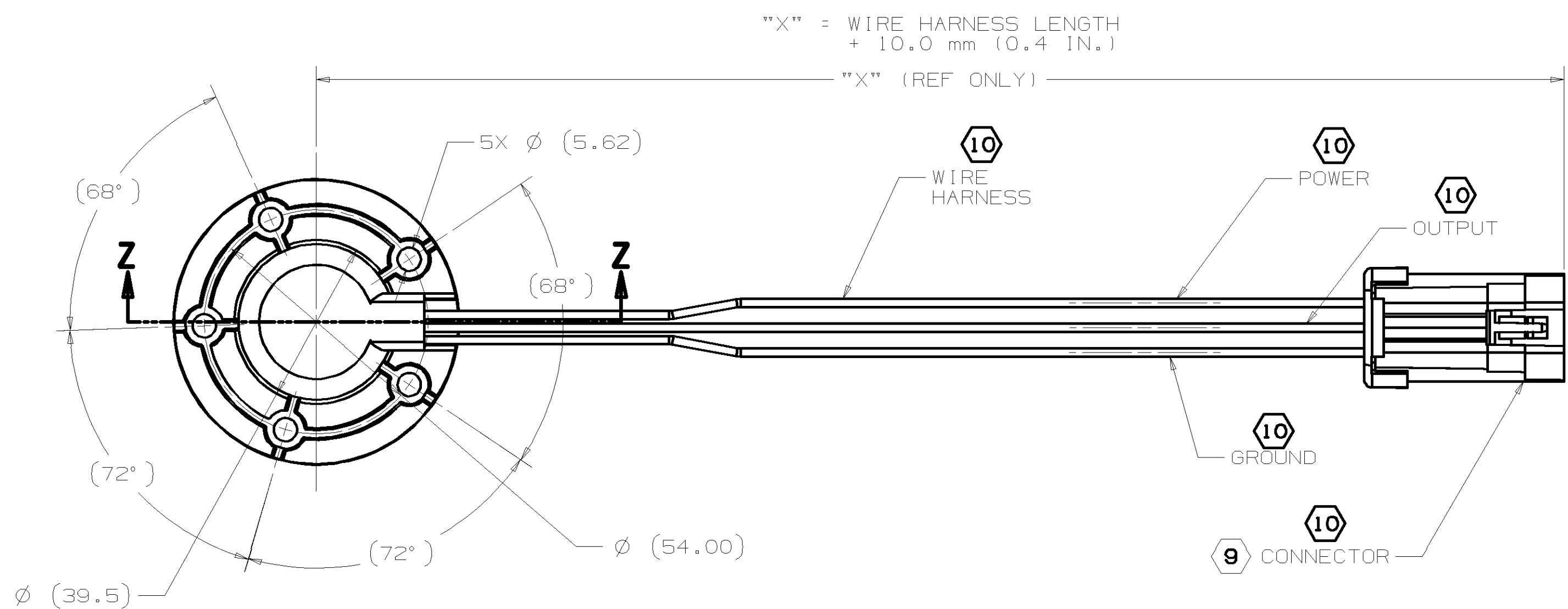
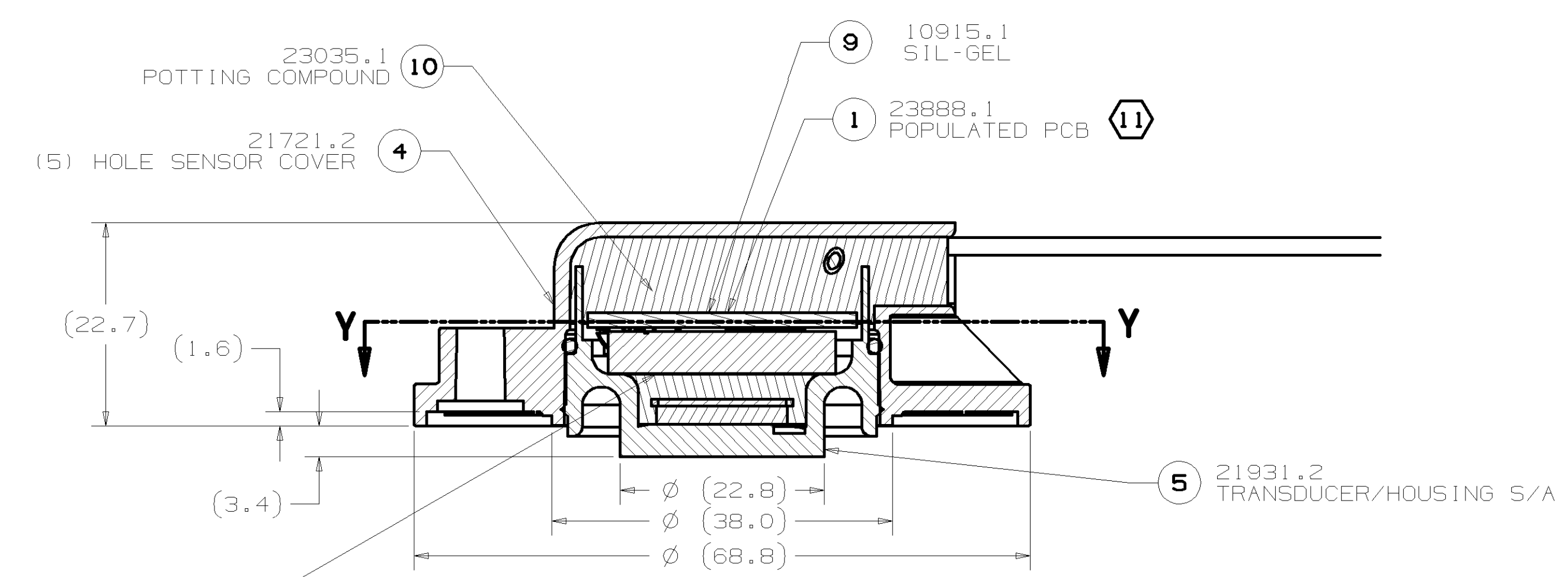


REV.	RELEASE NO.	DATE	DRAWN	APP.
1	05-5267	11/16/06	AIL	

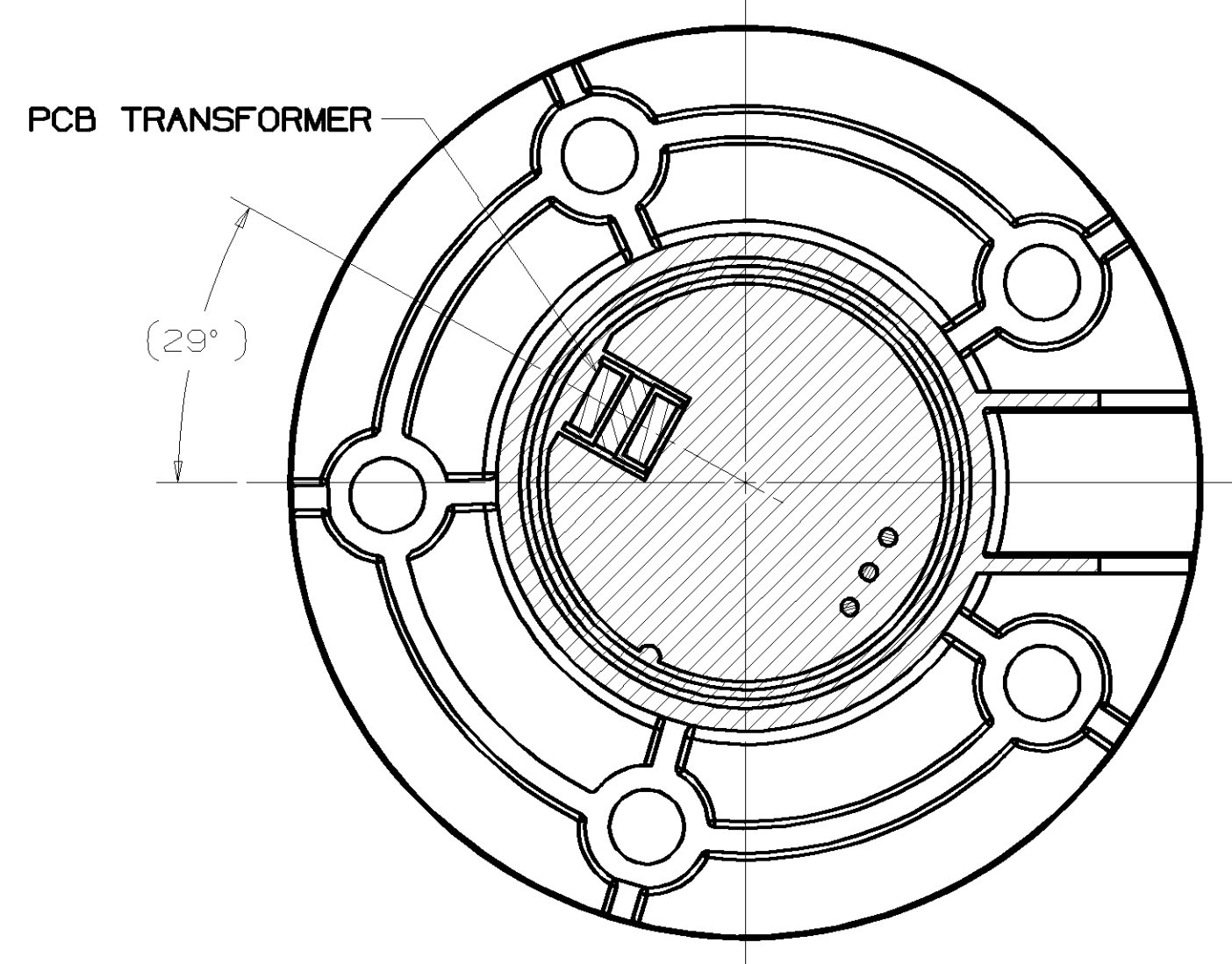


TRIMETRIC VIEW

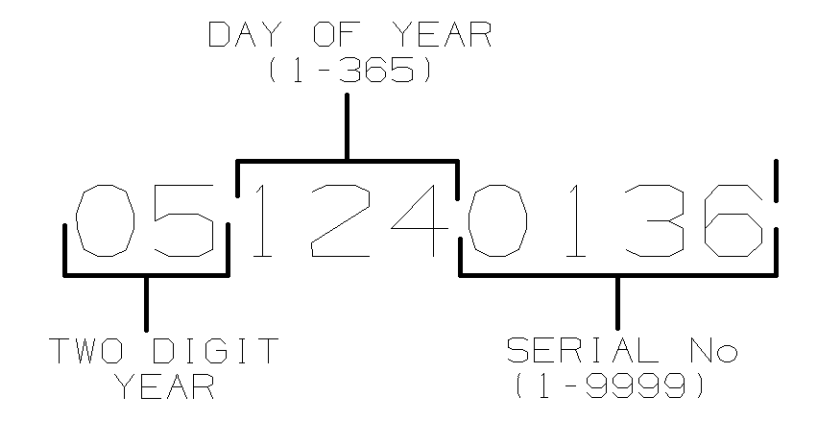


- 23348.1 FOAM DISK (8)
- 22569.1 SOLDER (2)
- P1403.1 GASKET (3)
- P-1092.1 SOLDER (6)
- 14421.1 FLUX (7)

SECTION Z-Z  
SCALE 2:1



SECTION Y-Y  
SCALE 2:1



TWO DIGIT YEAR SERIAL No (1-9999)

NOTES:

- 1) PART NUMBER AND DATE CODE TO BE LASER ETCHED INTO TOP OF PART. DATE CODE EXAMPLE: 051240136 = 136 th PART PRODUCED ON MAY 4, 2005
- 2) INPUT VOLTAGE RANGE: 10-32 VOLTS.
- 3) SEE SSI INSTALLATION RECOMMENDATION MANUAL FOR FURTHER INFORMATION.
- 4) [CT] SPECIFIES KEY CHARACTERISTICS. 0 USED
- 5) ASSEMBLY TO MEET TEST REQUIREMENTS PER 24472.0 SPI.
- 6) CURE POTTING COMPOUND TO 80±5 SHORE D HARDNESS.
- 7) SENSOR WILL FIT FUEL TANK MOUNTING HOLE PER SAE J1810 OR EQUIVALENT.
- 8) REFER TO CATALOG FOR CONFIGURED PART NUMBER STRUCTURE.
- 9) CONNECTOR OPTIONAL - CUT WIRE LEADS AVAILABLE UPON REQUEST.
- 10) REFERENCE APPROPRIATE WIRE HARNESS PRINT FOR LENGTH, WIRE COLOR, CONNECTOR, ETC.
- 11) REFERENCE 24473.0 SPI FOR SOFTWARE OPTIONS.
- 12) PARTS INCLUDED IN KIT - NOT SHOWN

THIS DRAWING REPRESENTS CONFIDENTIAL AND PROPRIETARY INFORMATION OF SSI TECHNOLOGIES INC. AND SHALL NOT BE USED, ALTERED OR DISCLOSED IN WHOLE OR IN PART WITHOUT THE EXPRESS WRITTEN APPROVAL OF SSI TECHNOLOGIES INC. ANY USE OF THIS DRAWING SHALL BE SUBJECT TO SSI TECHNOLOGIES INC. SUPPLIER QUALITY ASSURANCE SPECIFICATION SQA9001.



A	B	C	D	E	F	G	H	J	K	L	M
N	P	R	S	T	U	V	W	X	Y	Z	/

JOB: FLUID TRAC		DO NOT SCALE		ASSEMBLY NO.	
NAME: FINAL SENSOR ASSEMBLY		3RD ANGLE PROJECTION		CUSTOMER I.D.	
MATERIAL: SEE BOM		REFER TO ASME Y14.5M-1994		DRWS. NO.	
DWG SIZE: D	SHEET: 1 OF 1	SCALE: 1:1	VERSION: NX2	COMPUTER DRAWN NO MANUAL CHANGE	
				REV. 1	

MILLIMETERS	
TOLERANCE	.0 .00
DIA.	.2 .13
LINEAR	.2 .13
ANGULAR	1°

DO NOT SCALE PRINT